

O.LACROIX .STUDYBELT

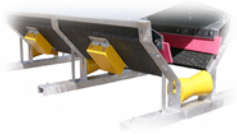
294 Bd Sainte Beuve 62200 Boulogne sur Mer Tél. +33 (0)6 42 00 22 04 Mail : studybelt@gmail.com
N° de SIRET : 441 867 983 00021 Code APE : 4669B

Technical questionnaire for the PROBELT system

General information about the company :

Company Name	
Address	
Country	
Person responsible for projects	
Phone	
E-Mail	

PRODUCTS		Minerals, cement, coal.....
MAXIMUM TEMPERATURE		°C
MINIMUM TEMPERATURE		°C
GRANULOMETRY		MM, # of the mesh, inch
% RELATIVE HUMIDITY		%
FEATURE		Explosive, hydrophobic, other



O.LACROIX .STUDYBELT

294 Bd Sainte Beuve 62200 Boulogne sur Mer Tél. +33 (0)6 42 00 22 04 Mail : studybelt@gmail.com
N° de SIRET : 441 867 983 00021 Code APE : 4669B

Project

description: _____

Please provide us with a description of the application, for example:

.New conveyor installation project.

.This is an existing installation and we have to control the emission and the spill on the conveyor.

. Are there any electronic drawings of the conveyor (s) or paper drawings ?

If possible, send us photos of the installation if they exist.

All the technical information of the project will allow us to better understand our technical recommendation.

Other data:

Conveyor flow:

R = _____ Ton / Hr.

Bandwidth:

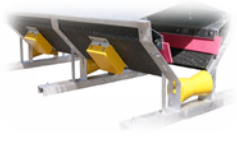
R = _____ mm / inches.

Conveyor speed:

R = _____ mt / sec.

Conveyor angle of inclination:

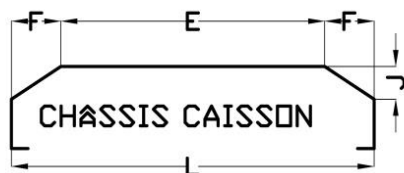
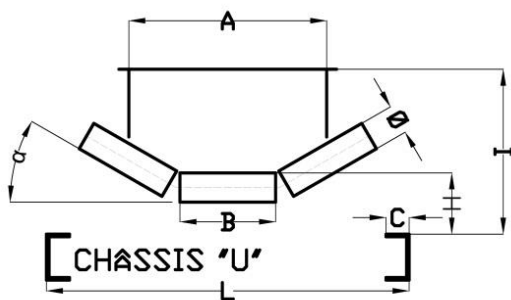
R = _____ Degrees.



O.LACROIX .STUDYBELT

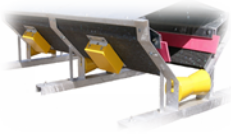
294 Bd Sainte Beuve 62200 Boulogne sur Mer Tél. +33 (0)6 42 00 22 04 Mail : studybelt@gmail.com
 N° de SIRET : 441 867 983 00021 Code APE : 4669B

Conveyor data:



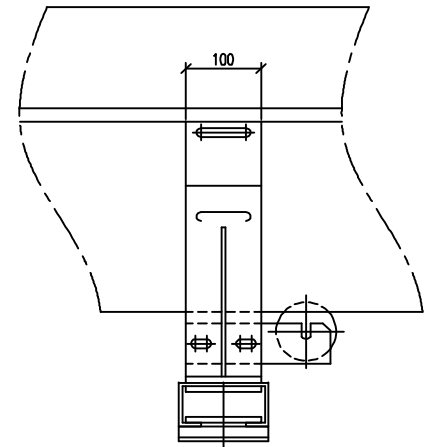
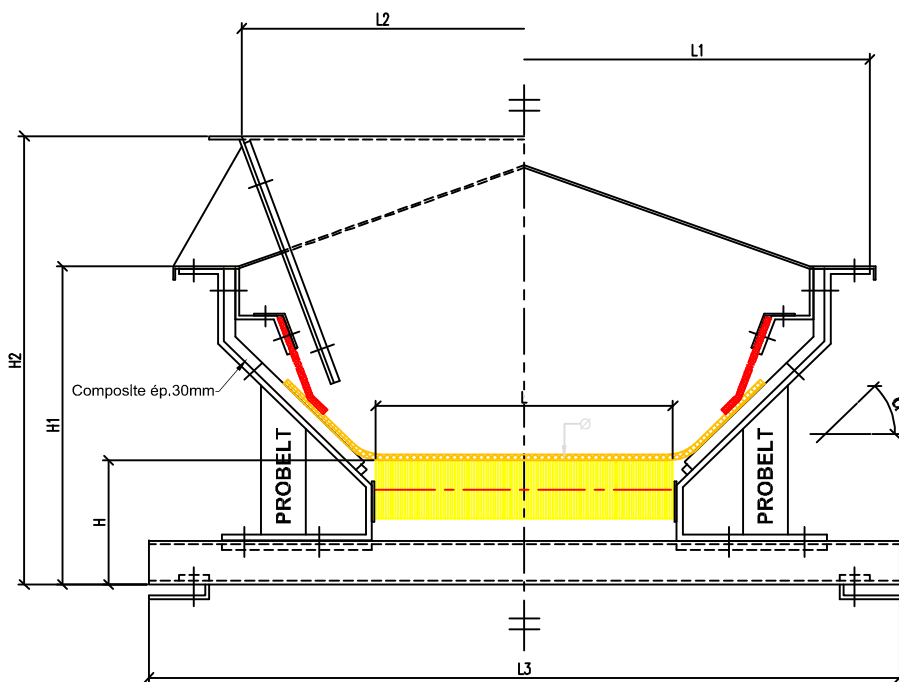
A	B	C	D	E	F	G	H	I	J	K	L	α	ϕ

Our technical service is at your disposal for any request for information.



O.LACROIX .STUDYBELT

294 Bd Sainte Beuve 62200 Boulogne sur Mer Tél. +33 (0)6 42 00 22 04 Mail : studybelt@gmail.com
 N° de SIRET : 441 867 983 00021 Code APE : 4669B



Ø L L1 L2 L3 H H1 H2 α

ECH:	PROBELT (système breveté)	Date: 07/09/17
		O.L.
STUDYBELT TEL: 06-42-00-22-04 studybelt@gmail.com		20170907-1
		Rev 1/1